

RANGE COOKERS





Italian for cooking

Choose De'Longhi and you're in good hands. For decades, we have been bringing Italian flair and engineering into British homes through our distinctive collection of range cookers.

Designed to impress and built to last, all cookers are freestanding, make a strong style statement and deliver on performance.

There are 30 different products to choose from in a variety of colours, finishes and widths.

We've single, double and triple oven cookers as well as options when it comes to fuel type.

Choose from all gas and dual fuel (gas and electric) to all electric, including induction hob.

At De'Longhi we've a cooker to suit every space, design style and budget. That's why De'Longhi isn't just Italian for cooking, it's for living too.

De'Longhi





Our collections



VINTAGE

Our Vintage Collection is a nod to the past through charming retro design details and finishing touches.



MODERN

Our Modern Collection takes its inspiration from professional kitchens with a sleek shape and streamlined look.



SPACE

Big on contemporary style, our Space range feature one single cavity cooker with extra large capacity ovens.

7 colours & finishes



Gloss
Black



Cream



Gloss
White



Slate
Grey



Burgundy



Stainless
Steel



Anthracite



What's inside

Vintage	8
Modern	18
Space	38
Focus on features	42
Cooker hood	46
Product specifications	52
Where to find us	58

Vintage

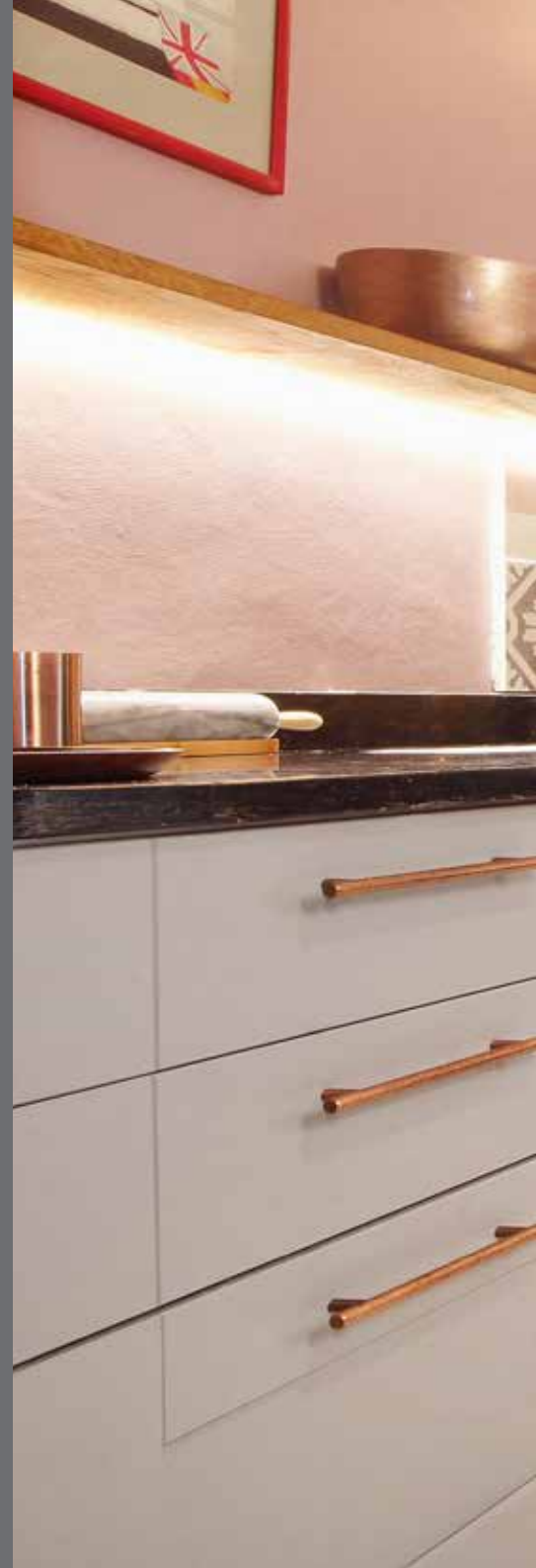
Our Vintage Collection of range cookers has charming design details and finishing touches.

Gently curved stainless steel back guards, softly rounded panelling on the oven fronts are complemented by retro brushed steel control knobs and matching hand rails.

Whether triple, double or single cavity, each cooker is dual fuel meaning it has a gas hob and grill with electric ovens.

All are 90cm wide and available in seven different colours and finishes – Gloss Black, Cream, Gloss White, Slate Grey, Burgundy, Light Blue and Stainless Steel.

Choose from 12 different product combinations based on the number of cavities and colours.





VINTAGE

90cm three cavity dual fuel range cooker

COOKTOP

90cm wide Stainless steel cooktop
Five gas burners including 4 kW wok burner
Cast iron pan supports plus cast iron wok stand
Brushed stainless steel front rail & matching control knobs
Vintage 120 mm stainless steel back guard
LPG conversion kit included

TOP GRILL COMPARTMENT Drop down door

Electric thermostatic grill
Interior halogen light
Removable inner glass for cleaning
Usable volume: 37 litres

ACCESSORIES:

Telescopic sliding system, grill pan and trivet

MULTIFUNCTION MAIN OVEN Side opening door

Eight function thermostatic electric oven - electric grill
Fan cooking mode - Fan circular element
Full electronic cooking programmer
(start/end of cooking)
Interior halogen light - Cooling fan system
Double glass door with removable inner door glass
for cleaning
Usable volume: 59 litres – A energy rating

ACCESSORIES:

Grill pan, trivet, two wire handles & flat shelf

FULL HEIGHT FAN OVEN

Side opening door

10 position side racks - Interior halogen light
Usable volume: 73 litres - B energy rating

ACCESSORIES:

Two flat shelves & plate warmer rack in chrome



D3VR 908 DF BL-1 Vintage Three Cavity in Gloss Black

Colours & finishes



Gloss Black
D3VR 908 DF BL-1



Gloss White
D3VR 908 DF WH-1



Slate Grey
D3VR 908 DF SLATE-1



Cream
D3VR 908 DF-1

Three cavity features



FULL HEIGHT FAN OVEN

Ten different shelf positions and 73 litres of space, making it ideal for batch cooking.



COOKTOP

Stainless steel five burner gas top. Heavy and durable cast iron pan stands and wok support included.



MULTIFUNCTION MAIN OVEN

The programmable 'A' rated oven has eight different functions including fan, conventional and grill.



TOP GRILL COMPARTMENT

Full width separate grill compartment. The grill pan sits on telescopic sliding runners for ease of use and access.

VINTAGE

90cm twin cavity dual fuel range cooker

COOKTOP

90cm Stainless steel cooktop

Five gas burners including 4 kW Wok burner

Cast iron pan supports and cast iron wok stand

Brushed stainless steel front rail & matching control knobs

Vintage 120 mm high stainless steel back guard

LPG conversion kit included

MAIN OVEN – Drop down door

Electric multifunction oven (eight functions)

Accurate electronic temperature control

Electric thermostatic grill

Full LED electronic programmer

Interior halogen light

Removable inner glass for cleaning

Usable volume: 70 litres – A energy rating

ACCESSORIES:

Grill pan, trivet, two wire handles, flat shelf & fat filter

SECOND OVEN – Drop down door

Thermostatic electric oven (five functions)

Electric grill - Rotisserie kit

Interior halogen light - Cooling fan system

Double glass door with removable inner glass door for easy cleaning

Usable volume: 45 litres – B energy rating

ACCESSORIES:

Grill pan, trivet, two wire handles, rotisserie & plate warmer rack in chrome

Stainless steel adjustable feet

STORAGE COMPARTMENT WITH DROP DOWN DOOR



DVTR 906 DF SS-1 Vintage Twin Cavity in Stainless Steel

Colours & finishes



Gloss White
DVTR 906 DF WH-1



Gloss Black
DVTR 906 DF BL-1



Slate Grey
DVTR 906 DF SLATE-1



Stainless Steel
DVTR 906 DF SS-1

Design details



TWO SEPARATE OVENS

The programmable main oven has eight different functions including grill. The second oven is a conventional oven and also includes a grill.



REFINED VINTAGE DESIGN

Vintage styling with fine attention to detail. An understated look appealing to the most discerning of tastes.



COOKTOP

Stainless steel five burner gas hob. Heavy duty and durable cast iron pan stands and wok support included.



SECOND OVEN FEATURES

Conventional oven and grill. Chrome plate warmer and oven rotisserie.



Vintage

127

DeLonghi

Lavender Blue
dilly dilly



VINTAGE

90cm single cavity dual fuel range cooker

COOKTOP

- 90cm Stainless steel cooktop
- Five gas burners including 4 kW wok burner
- Cast iron pan supports
- Cast iron wok stand
- 120mm high stainless steel back guard
- LPG conversion kit included

MAXI OVEN – Drop down door

- Electric multifunction oven (eight functions)
- Electric grill
- Full LED electronic programmer
- Start/ending cooking electronic programmer
- 2 interior halogen lights
- Removable inner door glass for easy cleaning
- Cooling fan system
- Usable volume: 87 litres – A energy rating

ACCESSORIES:

- Grill pan, trivet, two wire handles, shaped shelf, fat filter & telescopic shelf kit

STORAGE COMPARTMENT WITH DROP DOWN DOOR



DVRS 916 DF SS Vintage Single Cavity in Stainless Steel

Colours & finishes



Burgundy
DVRS 916 DF BU



Gloss Black
DVRS 916 DF BL



Slate Grey
DVRS 916 DF SLATE



Stainless Steel
DVRS 916 DF SS

Design details



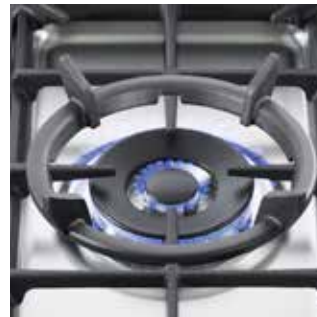
PRACTICAL TELESCOPIC SLIDING SHELF SUPPORTS

Improves ease of use and access, particularly for heavier and larger dishes.



DOOR CONSTRUCTION

All cookers have been designed with removable inner door glasses, which makes the glass doors easy to clean.



CENTRAL WOK BURNER. POWERFUL 3.5 KW

Powerful 3.5 k/W gas wok burner and cast iron wok support included with all gas top cookers.



REFINED VINTAGE DESIGN

Retro detailing on the stainless steel handrails and control knobs make for ageless style.

Modern

Our Modern Collection takes its inspiration from professional, working kitchens with a sleek shape and streamlined look.

Plenty of choice is available double and single cavity cookers and in three different widths – 60cm, 70cm and 90cm wide.

Choose from dual fuel (gas hob with electric oven), or all gas and even all electric ovens with an induction hob.

Whichever colour or finish you prefer – Stainless Steel, Cream and Anthracite, all 90cm cookers feature a handy storage compartment.





MODERN

90cm twin cavity dual fuel range cooker

COOKTOP

90cm Stainless steel professional cooktop
Five gas burners including 4 kW wok burner
Auto ignition and flame safety devices fitted on all burners

Cast iron pan supports - Cast iron wok stand

60 mm Stainless steel back guard

LPG conversion kit included

MAIN OVEN – Drop down door

Electric multifunction oven (eight functions)

Electric thermostatic grill

Full LED electronic programmer

Interior halogen light

Removable inner door glass for cleaning

Usable volume: 70 litres – A energy rating

ACCESSORIES:

Grill pan, trivet, two wire handles & flat shelf

SECOND OVEN – Drop down door

Conventional cooking (three functions)

Electric Thermostatic grill

Interior halogen light - Cooling fan system

Double glass door with removable inner door glass for cleaning

Usable volume: 45 litres – B energy rating

ACCESSORIES:

Grill pan, trivet, two wire handles & flat shelf

STORAGE COMPARTMENT WITH DROP DOWN DOOR



DTR 906 DF CR-1 Modern Twin Cavity in Cream

Colours & finishes



Anthracite
DTR 906 DF AN-1



Stainless Steel
DTR 906 DF-1



Cream
DTR 906 DF CR-1

Twin cavity features



PRACTICAL DOOR CONSTRUCTION

All cookers have been designed with easy to remove inner door glass, which makes them easy to clean.



TWO OVENS EACH WITH ELECTRIC GRILLS

The programmable A-rated main oven has eight different fanned and conventional cooking functions and includes a grill. The ovens are coated with a special easy-to-clean vitreous enamel.



CONTEMPORARY DESIGN STAINLESS STEEL COOKTOP

Stainless steel five burner gas top. Heavy duty cast iron pan stands and wok support included. LPG conversion kit included.

MODERN

90cm twin cavity induction range cooker

COOKTOP

90cm Stainless steel hob top

Four induction cooking zones

Stainless steel back guard

MAIN OVEN – Drop down door

Electric multifunction oven (eight functions)

Electric thermostatic grill

Full LED electronic programmer

Interior halogen light

Removable inner door glass for cleaning

Usable volume: 70 litres – A energy rating

ACCESSORIES:

Grill pan, two wire handles & flat shelf

SMALL OVEN – Drop down door

Conventional cooking (three functions)

Electric grill

Interior halogen light

Cooling fan system

Double glass door with removable inner door glass for cleaning

Usable volume: 45 litres – B energy rating

ACCESSORIES:

Grill pan, two wire handles & flat shelf

STORAGE COMPARTMENT WITH DROP DOWN DOOR



DTR 916 IND2 Modern Twin Cavity in Stainless Steel

Design details



INDUCTION TECHNOLOGY

Unique interaction with induction pans brings you fast, flexible, economic and safe cooking. The De'Longhi induction hob is both easy to use and easy to clean.

Twin cavity features



PRACTICAL DOOR CONSTRUCTION

All cookers have been designed with easy to remove inner door glasses, making the glass door easy to clean.



FULL ELECTRONIC PROGRAMMER

This cooker, like all other De'Longhi dual fuel range cookers, includes an electronic timer which can control the timing and functions in the main oven.



MULTIFUNCTION MAIN OVEN 70L

The programmable A-rated main oven has eight different fanned and conventional cooking functions and includes a grill.

MODERN

90cm twin cavity gas range cooker

COOKTOP

90cm Stainless steel professional cooktop
Five gas burners including 4 kW wok burner
Auto ignition and flame safety devices fitted on all burners
Cast iron pan supports
Cast iron wok stand
Stainless steel back guard
LPG conversion kit included

MAIN OVEN – Drop down door

Gas oven - Gas grill
Interior halogen light
Cooling fan system
60 minute minder
Removable inner door glass for cleaning
Usable volume: 67 litres – A energy rating

ACCESSORIES:

Grill pan, trivet, two wire handles & flat shelf

SECOND OVEN – Drop down door

Gas oven
Interior halogen light
Cooling fan system
Removable inner glass door for cleaning
Usable volume: 41 litres – B energy rating

ACCESSORIES:

Grill pan, trivet & flat shelf



DTR 906 G-1 Modern Twin Cavity in Stainless Steel

Design details



CONVERSION FROM MAINS GAS

LPG kit included in order to convert the cooker when no mains gas is present. These kits are also included in all DeLonghi dual fuel cookers.



CENTRAL WOK BURNER. POWERFUL 4.0 KW

Powerful 4 kW gas wok burner and cast iron wok support included with all gas top cookers.

Twin cavity features



GRILL GAS MAIN OVEN

Full gas oven, with gas grill in the main oven.



STORAGE COMPARTMENT

Useful storage compartment with drop down door.



PRACTICAL DOOR CONSTRUCTION

All cookers have been designed with easy to remove inner door glasses, which makes the glass door easy to clean.

MODERN

90cm single cavity dual fuel multifunction range cooker

COOKTOP

90cm Stainless steel professional cooktop

Five gas burners including 4 kW wok burner

Auto ignition and flame safety devices fitted on all burners

Cast iron pan supports

Cast iron wok stand

Stainless steel splashback

LPG conversion kit included

MAIN OVEN – Drop down door

Electric multifunction oven (eight functions)

Accurate electronic temperature control

Electric thermostatic grill

Full LED electronic programmer

Interior halogen light

Removable inner door glass for cleaning

Easy to clean enamel coating

Seamless cavity, 87 litres usable volume

A energy rating

ACCESSORIES:

Grill pan, trivet & two wire handles

Telescopic shelf kit, side catalytic panels & two shaped shelves

Stainless steel adjustable feet

STORAGE COMPARTMENT WITH DROP DOWN DOOR



DSR 917 DFM Modern Single Cavity in Stainless Steel

Design details



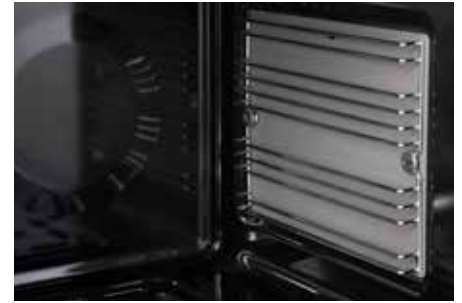
90CM WIDE STAINLESS STEEL GAS HOB

Five burner gas hob with a central high output wok burner and heavy duty durable cast iron pan stands and cast iron wok support.



TELESCOPIC SLIDING SHELF SUPPORTS

Improves ease of use and access, particularly for heavier and larger dishes.



CATALYTIC PANELS

Oven cavity fitted with two catalytic side panels which work to burn off any excess fat and food residue.

Single cavity features



FULL ELECTRONIC PROGRAMMER

This oven, like all the De'Longhi dual fuel and electric range cookers, includes an electronic timer which can control the timing and functions in the main oven.



MULTIFUNCTION OVEN

Eight different cooking functions controlled by a full electronic programmer and with double halogen lights.



STORAGE COMPARTMENT WITH DROP DOWN DOOR

Useful and easy to access compartment below oven door to store pans and accessories.

MODERN

90cm single cavity dual fuel range cooker

COOKTOP

90cm Stainless steel professional cooktop

Five gas burners including 4 kW wok burner

Auto ignition and flame safety devices fitted on all burners

Cast iron pan supports

Cast iron wok stand

LPG conversion kit included

MAIN MAXI OVEN - Drop down door

Electric Fan Maxi oven (four functions)

Accurate electronic temperature control

Electric thermostatic grill

Full LED electronic programmer

Interior halogen light

Removable inner door glass for cleaning

Easy to clean enamel coating

118 litre usable volume

A energy rating

Includes UK 3 pin plug

ACCESSORIES:

Grill pan, trivet, two wire handles & shaped shelf

Stainless steel adjustable feet

STORAGE COMPARTMENT WITH DROP DOWN DOOR



DSR 9071 DFS Modern Single Cavity in Stainless Steel

MODERN COOKERS SINGLE CAVITY

90cm single cavity gas range cooker

COOKTOP

90cm Stainless steel gas hob

Five gas burners including 4 kW wok burner

Auto ignition and flame safety devices fitted on all burners

Cast iron pan supports and cast iron wok stand

Stainless steel splashback

LPG conversion kit included

MAIN OVEN – Drop down door

Gas oven

Thermostatic electric grill

Interior halogen lights

60 minute minder timer

Removable inner door glass for cleaning

Usable volume: 126 litres – A energy rating

ACCESSORIES:

Grill pan, trivet, two wire handles & shaped shelf

Stainless steel adjustable feet

STORAGE COMPARTMENT WITH DROP DOWN DOOR



DSR 916 GS Modern Single Cavity in Stainless Steel

MODERN

60cm single cavity all gas range-style stainless steel cooker

COOKTOP

60cm stainless steel cooktop

Four burners including one 3.5 kW wok burner

Auto ignition and flame safety devices fitted on
all burners

Cast iron pan supports and cast iron wok stand

OVEN

Gas oven

Gas grill

Interior light

Cooling fan

Removable inner door glass for cleaning

Easy to clean enamel coating

Full glass door - black see-through glass

Usable volume: 62 litres – A energy rating

ACCESSORIES:

Grill pan, trivet & two shaped wire shelves

sliding storage drawer for accessories,

stainless steel adjustable feet

LPG conversion kit

Includes UK 3 pin plug



DSC 606 G Modern Single Cavity Gas

MODERN

60cm double cavity dual fuel range-style cooker

COOKTOP

60cm stainless steel cooktop

Four gas burners including 3.5 kW wok burner

Cast iron pan supports and cast iron wok stand

Automatic ignition - Flame safety devices

LPG conversion kit included

TOP OVEN CONVENTIONAL COOKING AND ELECTRIC GRILL

Conventional oven

Electric thermostatic grill

Double glass door with removable inner door glass for cleaning

Interior halogen light

Cooling fan system

Easy clean enamel cavity

Usable volume: 39 litres – A energy rating

ACCESSORIES:

Grill pan, trivet, two wire handles & flat shelf

MAIN FAN OVEN

Fan cooking

Full LED programmer

Double glass door with removable inner door glass for cleaning

Interior halogen light

Cooling fan system

Easy clean enamel cavity

Usable volume: 59 litres – A energy rating

ACCESSORIES:

1 flat shelf



DDC 606 DF-1 Double Cavity Cooker in Stainless Steel

MODERN

60cm single cavity dual fuel range-style stainless steel cooker

COOKTOP

60cm Stainless steel hob top

Four gas burners including one 4 kW wok burner

Brushed metal finishing knobs with chromed
bezels

Stainless steel back guard

OVEN

Electric multifunction oven (nine functions)

300°C – 40°C thermostat

Electric thermostatic grill

Full LED electronic programmer

Interior halogen light

Removable inner door glass for cleaning

Usable volume: 59 litres – A energy rating

ACCESSORIES:

2 flat shelf, grill pan, trivet, Pizza Stone, telescopic
sliding kit, 2 wire handles.



DSC 616 MF Modern Single Cavity in Stainless Steel

MODERN

60cm single cavity induction range-style stainless steel cooker

COOKTOP

60cm Stainless steel hob top
Four induction cooking zones
Stainless steel back guard

OVEN

Electric multifunction oven (nine functions)
Electric thermostatic grill
Full LED electronic programmer
Interior halogen light
Removable inner door glass for cleaning
Usable volume: 59 litres – A energy rating

ACCESSORIES:

2 flat shelf, fat filter, telescopic sliding kit, trivet,
grill pan, 2 wire handles, pizza stone.



DSC 616 IND Modern Single Cavity in Stainless Steel

MODERN

60cm single cavity dual fuel range-style stainless steel cooker

COOKTOP

60cm Stainless steel hob top
Four gas burners including one 4 kW wok burner
Soft touch finishing knobs
Stainless steel back guard

OVEN

Electric multifunction oven (nine functions)
250°C – 40°C thermostat
Electric thermostatic grill
Interior halogen light
Removable inner door glass for cleaning
Usable volume: 59 litres – A energy rating

ACCESSORIES:

1 flat shelf, grill pan, trivet, Pizza Stone, 2 wire handles



DSC 616 MLX Modern Single Cavity in Stainless Steel



MODERN

70cm double cavity dual fuel range-style cooker

COOKTOP

70cm Stainless steel professional cooktop

Five gas burners including one central 3.5 kW wok burner

Auto ignition and flame safety devices fitted on all burners

Cast iron pan supports and wok stand

LPG conversion kit

TOP CONVENTIONAL OVEN PLUS ELECTRIC GRILL

Conventional oven - Electric thermostatic grill

Electric grill

Double glass door with removable inner door

glass for cleaning

Interior oven light

Cooling fan system - Easy clean enamel cavity

Usable volume: 39 litres – A energy rating

ACCESSORIES:

Grill pan, trivet, two wire handles & flat shelf

MAIN FAN OVEN

Fan cooking

Accurate electronic temperature control

Full LED programmer

Double glass door with removable inner door glass for cleaning

Interior oven light

Cooling fan system

Easy to clean enamel coating

Usable volume: 61 litres – A energy rating

ACCESSORIES:

Grill pan, trivet & flat shelf



DDC 707 DF Modern Double Cavity in Stainless Steel

Design details



FIVE GAS BURNERS

70cm wide Five burner gas hob with central high output wok burner and heavy duty cast iron pan stands and wok support.

70cm range features



FULL ELECTRONIC PROGRAMMER

Both cavities are independent ovens with the main oven controlled by an electronic programmer bringing precision and flexibility to cooking performance.



STEEL BACK GUARD

Cooker is supplied with an easy to fit solid stainless steel back guard.



SIDE OPENING MAIN OVEN DOOR

Allows ease of access to the oven cavity and the inner door is easily removed for cleaning.

Space

The cooker in our Space Collection offer just that – an extra large single oven with plenty of room, making it ideal for big family meals as well as batch cooking.

It may be big on contemporary style but it makes a small imprint on the environment owing to their A class energy ratings – unusual given the size of the oven at 120 usable litres of space.

Built to last and to deal with the demands of daily cooking, this high specification cooker is 90cm wide and made from brushed stainless steel and features a useful storage compartment.

It's a dual fuel option with gas hob and electric grill.

Impressive energy efficiency is matched by powerful performance owing to high power gas burners that are quite simply 'best in class'.





90cm Single Cavity Dual Fuel

SPACE

90cm multifunction dual fuel range cooker

COOKTOP

90cm Stainless steel professional cooktop

Five gas brass burners including

- two 4 kW wok burners,

- one 4.2 kW dual burners with simmer flame control

Auto ignition and flame safety devices fitted on all burners

Cast iron pan supports - Cast iron wok stand

Stainless steel splashback - LPG conversion kit included

MAIN OVEN – Drop down door

Electric multifunction oven twin fan cooking,

Ten functions, including fast pre-heat and leavening functions

Accurate electronic temperature control
(300 degrees centigrade maximum temperature)

Cooling fan system

Steel rotisserie kit featuring shaft drive and double fork

Electronic touch control programmer (start/end)

Two interior halogen lights, Seven position racks

Soft closing door - Triple glass door, full glass inner door

Easy to clean enamel coating

Seamless cavity, 120 litres usable litres – A energy rating

ACCESSORIES

Grill pan, trivet, telescopic shelf kit, side catalytic panels, deep shaped shelf, flat shelf & rotisserie kit with double fork, Stainless steel adjustable feet

STORAGE COMPARTMENT WITH DROP DOWN DOOR



DSR 927 DFX Space Single Cavity in Stainless Steel

Design details



PROGRAMMER

Electronic touch control programmer, ensuring both precise and flexible cooking.



CATALYTIC PANELS

Side catalytic panels fitted to assist cavity cleaning.

Space cooker features



LARGE OVEN CAVITY

120 usable litres with 10 cooking programs including rapid pre-heat and dough leavening function for baking.



THREE HIGH POWER GAS BURNERS

One central dual control burner with low simmer to high power output flexibility and two additional front positioned wok burners for superior heating performance.

Focus on Features



FOCUS ON FEATURES

Italian for performance

Our programmable electronic timers combine perfect timing with accurate oven temperatures, helping cooks achieve great results, plus it's energy-efficient so kinder on the environment.



For quick and intensive cooking, hobs at the top end of our range have ultra-rapid gas burners.

Heat is powerful, instantaneous and easily adjusted with high energy flames igniting on command, working at full power or performing at a gentle simmer.

FOCUS ON FEATURES

Italian for safety



Most grill pans sit on telescopic sliding runners for access and ease of use. These neat shelf supports make for safer cooking especially when using large or heavy trays.



Doors, whether side opening or drop-down, are soft close. Their double glass design makes them reassuringly cool to touch on the outside no matter how hot the oven.

All De'Longhi gas and dual fuel cookers feature high quality auto ignition and flame safety devices for safe cooking.



Double halogen lights in all ovens turn on as soon as the heat is activated. It makes what you are cooking easily visible when it comes to moving dishes in and out and keeping an eye on progress.

FOCUS ON FEATURES

Italian for practical



We've made our ovens super easy to clean thanks to a vitreous enamel coating. Our Space range also boasts a seamless oven cavity, which means there's less chance of dirt staying put.



Stainless steel back guards at various heights and in three different designs look great, are easy to clean and stop food from collecting behind the cooker.



All oven doors whether side opening or drop-down feature slide-out removable inner glass panels making them extremely easy to clean.

DE'LONGHI

90cm cooker hood

Our DeLonghi stainless steel hoods are stylish and practical additions to our range cooker offer. This new 90cm Linear hood is available in stainless steel, while our other chimney hood is available in stainless or gloss black.

FEATURES

- Stainless steel design
- 90cm wide chimney hood
- Push button controls
- Three speeds plus booster function
- Dishwashable aluminium grease filters
- Capacity: 740m³/hour
- Quiet performance 68dBA
- Air diverter included
- Charcoal filter available as an optional extra



DCH 9006 FSS Stainless Steel

Colours & finishes



Gloss Black
DCH 900 BL



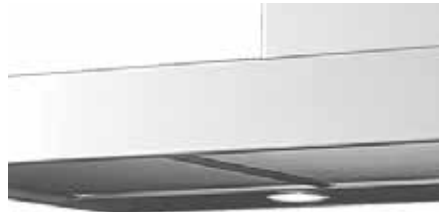
Stainless Steel
DCH 900 SS

Design details



PUSH BUTTON CONTROLS

Three speed controls plus booster function. A very impressive 740 square metres per hour maximum extraction setting.



FILTERS

Three easy to remove washable aluminium filters included.

DE'LONGHI COOKER OPTIONS

By width, number of ovens and grills

90CM WIDE THREE CAVITY COOKERS



D3VR 908 DF-1
Vintage dual fuel in
Cream



D3VR 908 DF SLATE-1
Vintage dual fuel in
Slate Grey



D3VR 908 DF WH-1
Vintage dual fuel in
Gloss White



D3VR 908 DF BL-1
Vintage dual fuel in
Gloss Black

90CM WIDE TWO CAVITY COOKERS



DTR 906 DF-1
Professional 900 double cavity
DF Stainless Steel



DTR 906 DF AN-1
Professional 900 double cavity
DF Anthracite



DTR 906 DF CR-1
Professional 900 double cavity
DF Cream



DTR 906 G-1
Professional 900 double
cavity gas in Stainless Steel



DTR 916 IND2
Professional 900 double cavity
induction top in Stainless Steel



DVTR 906 DF WH-1
Vintage dual fuel in
gloss white



DVTR 906 DF BL-1
Vintage dual fuel in
gloss black



DVTR 906 DF SLATE-1
Vintage dual fuel in
slate grey



DVTR 906 DF SS-1
Vintage dual fuel in
stainless steel

90CM WIDE SINGLE OVEN COOKERS



DSR 927 DFX
Space dual fuel in
Stainless Steel



DSR 917 DFM
Modern dual fuel in
Stainless Steel



DSR 9071 DFS
Modern dual fuel in
Stainless Steel



DSR 916 GS
Modern all gas in
Stainless Steel



DVR5 916 DF SS
Vintage single cavity in
Stainless Steel



DVR5 916 DF BU
Vintage single cavity in
Burgundy



DVR5 916 DF BL
Vintage single cavity in
Glass Black



DVR5 916 DF SLATE
Vintage single cavity in
Slate Grey

60CM WIDE COOKERS



DSC 606 G
Modern 60cm wide single
all gas in Stainless Steel



DSC 616 MLX
Modern 60cm wide single
dual fuel in Stainless Steel



DSC 616 MF
Modern 60cm wide single
dual fuel in Stainless Steel



DSC 616 IND
Modern 60cm wide single
induction hob in Stainless Steel

60CM & 70CM WIDE DOUBLE OVEN COOKERS



DDC 606 DF-1
Modern 60cm wide, double oven,
dual fuel in Stainless Steel

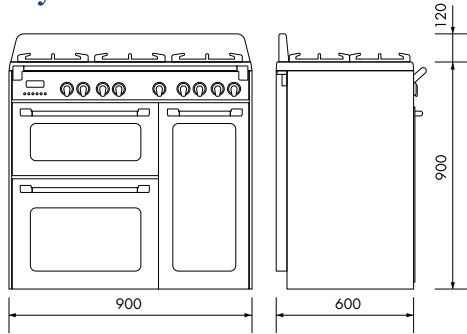


DDC 707 DF
Modern 70cm wide dual fuel in
Stainless Steel

DIMENSIONS AT A GLANCE

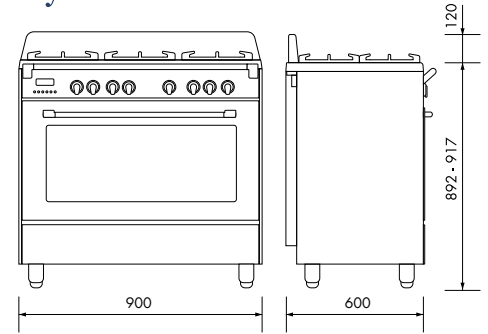
Vintage Three Cavity

- D3VR 908 DF-1
- D3VR 908 DF BL-1
- D3VR 908 DF WH-1
- D3VR 908 DF SLATE-1



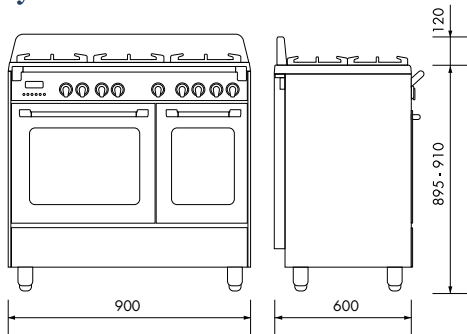
Vintage Single Cavity

- DVRS 916 DF SS
- DVRS 916 DF BL-1
- DVRS 916 DF BU-1
- DVRS 916 DF SLATE-1



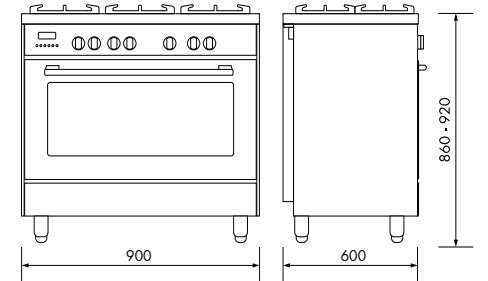
Vintage Twin Cavity

- DVTR 906 DF SS-1
- DVTR 906 DF BL-1
- DVTR 906 DF SLATE-1
- DVTR 906 DF WH-1



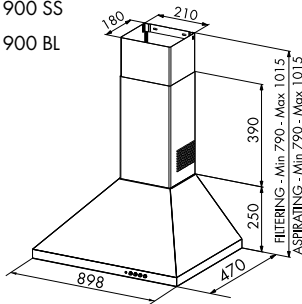
Modern Single Cavity

- DSR 9071 DFS

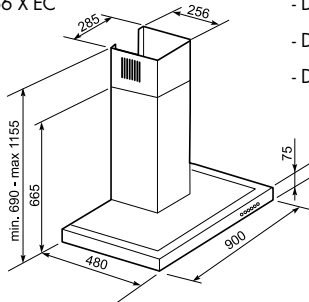


Cooker Hood

- DCH 900 SS
- DCH 900 BL

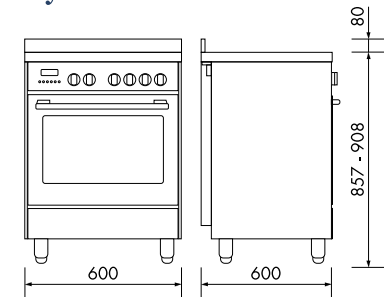


- DCH 9066 X EC



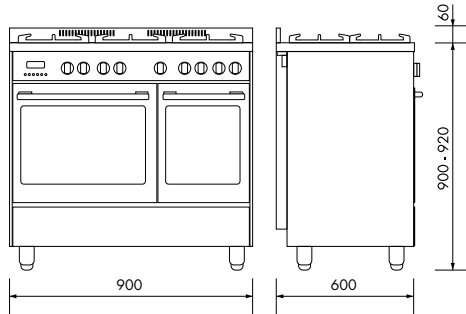
Modern Single Cavity

- DSC 616 MF
- DSC 616 MLX
- DSC 616 IND



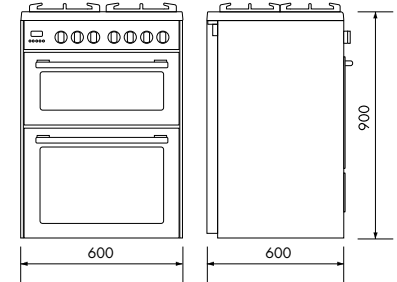
Modern Twin Cavity

- DTR 906 DF-1
- DTR 906 DF AN-1
- DTR 906 DF CR-1
- DTR 916 IND2
- DTR 906 G-1



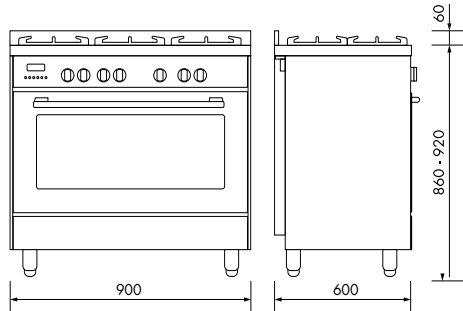
Modern 60cm Double Cavity

- DDC 606 DF



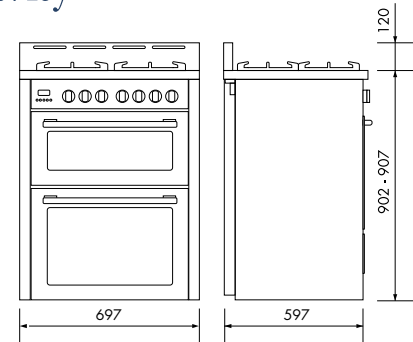
Modern Single Cavity

- DSR 916 GS
- DSR 917 DFM



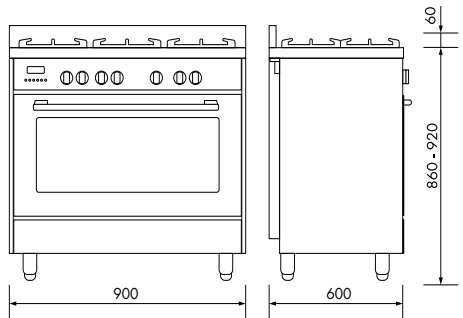
Modern 70cm Double Cavity

- DDC 707 DF



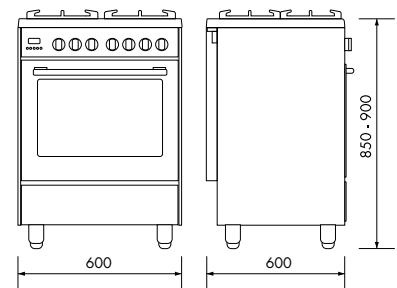
Space Single Cavity

- DSR 927 DFX



Modern 60cm Single Cavity

- DSC 606 G



WHAT'S INCLUDED WITH EACH COOKER

MODEL	D3VR 908 DF-1	D3VR 908 DF BL-1	D3VR 908 DF WH-1	D3VR 908 DF SLATE-1	DVTR 906 DF SS-1	DVTR 906 DF WH-1
Overall dimensions (HxWxD) mm	900x900x600	900x900x600	900x900x600	900x900x600	900x900x600	900x900x600
Colour	Cream	Gloss black	White	Gloss black	Stainless steel	Gloss white
COOKTOP						
N° gas burners	5	5	5	5	5	5
Wok burners / kW	■ / 4kW	■ / 4kW	■ / 4kW	■ / 4kW	■ / 4kW	■ / 4kW
Flame safety devices	■	■	■	■	■	■
Automatic ignition	■	■	■	■	■	■
Cast iron pan supports	■	■	■	■	■	■
OVEN (main)						
Energy rating	A	A	A	A	A	A
Oven type	Multifunction (8)	Multifunction (8)	Multifunction (8)	Multifunction (8)	Multifunction (8)	Multifunction (8)
Grill type	Electric	Electric	Electric	Electric	Electric	Electric
Thermostat	■	■	■	■	■	■
Net volume (litres)	59	59	59	59	70	70
Interior halogen light	1	1	1	1	1	1
N° inner glass door	2	2	2	2	2	2
Removable inner glass door	■	■	■	■	■	■
Handles for grill pan	2	2	2	2	2	2
Shelf	1	1	1	1	1	1
Rotisserie						■
Grill trivet	1	1	1	1	1	1
Grill pan	1	1	1	1	1	1
OVEN (small)						
Energy rating					B	B
Oven type					Conventional	Conventional
Grill type	Electric	Electric	Electric	Electric	Electric	Electric
Thermostat	■	■	■	■	■	■
Net volume (litres)	37	37	37	37	45	45
Interior light	1	1	1	1	1	1
N° inner glass door	2	2	2	2	2	2
Removable inner glass door	■	■	■	■	■	■
Shelf	1	1	1	1	1	1
Fat filter						
Grill trivet	1	1	1	1	1	1
Grill pan	1	1	1	1	1	1
OVEN (tall)						
Energy rating	B	B	B	B		
Oven type	Fan cooking	Fan cooking	Fan cooking	Fan cooking		
Thermostat	■	■	■	■		
Net volume (litres)	73	73	73	73		
Interior light	1	1	1	1		
Shelf	2	2	2	2		
Dishwarmer rack	1	1	1	1		
TECHNICAL SPECIFICATIONS						
Cooling fan	■	■	■	■	■	■
Rear trim	■	■	■	■	■	■
Full electronic cooking programmer	■	■	■	■	■	■
Minute minder						
Cast iron wok stand	■	■	■	■	■	■
Rotisserie					■	■
Fat filter					■	■
LPG kit	■	■	■	■	■	■
Storage compartment					■	■
Adjustable feet (adjustable 890 mm minimum to 920 mm maximum)					■	■
Cable and Plug						
Voltage 220-240V - 50/60 Hz	■	■	■	■	■	■
Max electric input (W)	7340	7340	7340	7340	3700	3700

With a view to continuously improving its products, De'Longhi reserves the right to alter the technical specifications and aesthetic features at any time and without notice.
Due to printing limitations, the actual colour of products may differ from those shown within this catalogue. Images and specifications are correct at time of printing.

MODEL	DVTR 906 DF BL-1	DVTR 906 DF SLATE-1	DVRS 916 DF SS	DVRS 916 DF SLATE	DVRS 916 DF BU	DVRS 916 DF BU
Overall dimensions (HxWxD) mm	900x900x600	900x900x600	900x900x600	900x900x600	900x900x600	900x900x600
Colour	Gloss black	Gloss black	Stainless steel	Slate grey	Burgundy	Gloss black
COOKTOP						
N° gas burners	5	5	5	5	5	5
Wok burners / kW	■ / 4kW	■ / 4kW	■ / 4kW	■ / 4kW	■ / 4kW	■ / 4kW
Flame safety devices	■	■	■	■	■	■
Automatic ignition	■	■	■	■	■	■
Cast iron pan supports	■	■	■	■	■	■
OVEN (main)						
Energy rating	A	A	A	A	A	A
Oven type	Multifunction (8)	Multifunction (8)	Multifunction (8)	Multifunction (8)	Multifunction (8)	Multifunction (8)
Grill type	Electric	Electric	Electric	Electric	Electric	Electric
Thermostat	■	■	■	■	■	■
Net volume (litres)	70	70	87	87	87	87
Interior halogen light	1	1	2	2	2	2
N° inner glass door	2	2	2	2	2	2
Removable inner glass door	■	■	■	■	■	■
Handles for grill pan	2	2				
Shelf	1	1	2	2	2	2
Rotisserie	■	■	■	■	■	■
Grill trivet	1	1				
Grill pan	1	1	1	1	1	1
OVEN (small)						
Energy rating	B	B				
Oven type	Conventional	Conventional				
Grill type	Electric	Electric				
Thermostat	■	■				
Net volume (litres)	45	45				
Interior light	1	1				
N° inner glass door	2	2				
Removable inner glass door	■	■				
Shelf	1	1				
Fat filter			■	■	■	■
Grill trivet	1	1				
Grill pan	1	1				
OVEN (tall)						
Energy rating						
Oven type						
Thermostat						
Net volume (litres)						
Interior light						
Shelf						
Dishwarmer rack						
TECHNICAL SPECIFICATIONS						
Cooling fan	■	■	■	■	■	■
Rear trim	■	■	■	■	■	■
Full electronic cooking programmer	■	■	■	■	■	■
Minute minder						
Cast iron wok stand	■	■	■	■	■	■
Rotisserie	■	■	■	■	■	■
Fat filter	■	■	■	■	■	■
LPG kit	■	■	■	■	■	■
Storage compartment	■	■	■	■	■	■
Adjustable feet (adjustable 890 mm minimum to 920 mm maximum)	■	■	■	■	■	■
Cable and Plug						
Voltage 220-240V - 50/60 Hz	■	■	■	■	■	■
Max electric input (W)	3700	3700	3050	3050	3050	3050

MODEL	DTR 906 DF-1	DTR 906 DF AN-1	DTR 906 DF CR-1	DTR 916 IND2	DTR 906 G-1
Overall dimensions (HxWxD) mm	900x900x600	900x900x600	900x900x600	900x900x600	900x900x600
Colour	Stainless steel	Anthracite black	Cream	Stainless steel	Stainless steel
COOKTOP					
N° gas burners	5	5	5		5
Wok burners / kW	■ / 4kW	■ / 4kW	■ / 4kW		■ / 4kW
Flame safety devices	■	■	■		■
Automatic ignition	■	■	■		■
Cast iron pan supports	■	■	■		■
Four zone induction hob				■	
OVEN (main)					
Energy rating	A	A	A	A	A
Oven type	Multifunction (8)	Multifunction (8)	Multifunction (8)	Multifunction (8)	Gas
Grill type	Electric	Electric	Electric	Electric	Gas
Thermostat	■	■	■	■	■
Flame safety devices					■
Automatic ignition					■
Net volume (litres)	70	70	70	70	67
Interior halogen light	1	1	1	1	1
N° inner glass door	2	2	2	2	2
Removable inner glass door	■	■	■	■	■
Handles for grill pan	2	2	2	2	2
Shelf	2	2	2	1	1
Grill trivet	1	1	1	1	1
Grill pan	1	1	1	1	1
OVEN (small)					
Energy rating	B	B	B	B	B
Oven type	Conventional	Conventional	Conventional	Conventional	Gas
Grill type	Electric	Electric	Electric	Electric	
Thermostat	■	■	■	■	
Flame safety devices					■
Automatic ignition					■
Net volume (litres)	45	45	45	45	41
Interior light	■	■	■	1	1
N° inner glass door	2	2	2	2	2
Removable inner glass door	■	■	■	■	■
Shelf	1	1	1	1	1
Grill trivet	1	1	1	1	1
Grill pan	1	1	1	1	1
TECHNICAL SPECIFICATIONS					
Cooling fan	■	■	■	■	■
Rear trim	■	■	■	■	■
Catalytic panels					
Full electronic cooking programmer	■	■	■	■	
Minute minder					■
Cast iron wok stand	■	■	■		■
LPG kit	■	■	■		■
Storage compartment	■	■	■	■	■
Adjustable feet (adjustable 890 mm minimum to 920 mm maximum)	■	■	■	■	■
Cable and Plug					■
Voltage 220-240V - 50/60 Hz	■	■	■	■	■
Max electric input (W)	3785	3785	3785	11100	67.5

With a view to continuously improving its products, De'Longhi reserves the right to alter the technical specifications and aesthetic features at any time and without notice.
Due to printing limitations, the actual colour of products may differ from those shown within this catalogue. Images and specifications are correct at time of printing.

MODEL	DSR 916 GS	DSR 917 DFM	DSR 9071 DFS	DSC 606 G	DDC 606 DF-1	DDC 707 DF
Overall dimensions (HxWxD) mm	900x900x600	900x900x600	900x900x600	900x600x600	900x600x600	900x700x600
Colour	Stainless steel	Stainless steel	Stainless steel	Stainless steel	Stainless steel	Stainless steel
COOKTOP						
N° gas burners	5	5	5	4	4	5
Wok burners / kW	■ / 4kW	■ / 4kW	■ / 4kW	■ / 3,5kW	■ / 3,5kW	■ / 3,5kW
Flame safety devices	■	■	■	■	■	■
Automatic ignition	■	■	■	■	■	■
Cast iron pan supports	■	■	■	■	■	■
Four zone induction hob						
OVEN (main)						
Energy rating	B	A	A	A	A	A
Oven type	Gas	Multifunction (8)	Multifunction	Gas	Multifunction	Multifunction
Grill type	Electric	Electric	Electric	Gas	Electric	Electric
Thermostat	■	■	■	■	■	■
Flame safety devices	■			■		
Automatic ignition	■			■		
Net volume (litres)	106	87	118	62	61	64
Interior halogen light	1	2	1	1	1	1
N° inner glass door	2	2	2	2	2	2
Removable inner glass door	■	■	■	■	■	■
Handles for grill pan	2	2	2	2	2	2
Shelf	1	2	1	2	1	1
Grill trivet	1	1	1	1		
Grill pan	1	1	1	1		
OVEN (small)						
Energy rating					A	A
Oven type					Conventional	Conventional
Grill type					Electric	Electric
Thermostat					■	■
Flame safety devices						
Automatic ignition						
Net volume (litres)					37	37
Interior light					1	1
N° inner glass door					2	2
Removable inner glass door					■	■
Shelf					1	1
Grill trivet					1	1
Grill pan					1	1
TECHNICAL SPECIFICATIONS						
Cooling fan	■	■	■	■	■	■
Rear trim	■	■				
Catalytic panels		■				
Full electronic cooking programmer		■	■		■	■
Minute minder	■			■		
Cast iron wok stand	■	■	■	■	■	■
LPG kit	■	■	■	■	■	■
Storage compartment	■	■	■	■		
Adjustable feet (adjustable 890 mm minimum to 920 mm maximum)	■	■	■	■		
Cable and Plug	■			■		
Voltage 220-240V - 50/60 Hz	■	■	■	■	■	■
Max electric input (W)	60	3023	2270	60	4300	4300

MODEL	DSC 616 MF	DSC 616 MLX	DSC 616 IND	DSR 927 DFX
Overall dimensions (HxVxD) mm	900x600x600	900x600x600	900x600x600	900x900x600
Colour	Stainless steel	Stainless steel	Stainless steel	Stainless steel
COOKTOP				
N° gas burners	4	4		5
Wok burners / kW	■ / 4 kW	■ / 4 kW		■ / 4 kW (2)
Dual burners / kW				■ / 4.2 kW
Flame safety devices	■	■		■
Automatic ignition	■	■		■
Cast iron pan supports	■	■		■
Four zone induction hob			■	
OVEN (main)				
Energy rating	A	A	A	A
Oven type	Multifunction (9)	Multifunction (9)	Multifunction (9)	Multifunction (10)
Grill type	Electric	Electric	Electric	Electric
Thermostat	■	■	■	■
Flame safety devices				
Automatic ignition				
Net volume (litres)	59	59	59	120
Interior halogen light	1	1	1	2
N° inner glass door	3	2	2	3
Twin fan cooking	■	■	■	■
Removable inner glass door	■	■	■	■
Handles for grill pan	■	■	■	
Telescopic sliding shelf support	■		■	■
Rotisserie				■
Catalytic panels				■
Shelf	2	1	2	2
Grill trivet	1	1	1	1
Grill pan	1	1	1	1
Pizza stone	■	■	■	
TECHNICAL SPECIFICATIONS				
Cooling fan	■	■	■	■
Rear trim	■	■	■	■
Full electronic cooking programmer	■		■	■
Minute minder		■		
Cast iron wok stand	■			■
LPG kit	■	■		■
Storage compartment	■	■	■	■
Adjustable feet (adjustable 890 mm minimum to 920 mm maximum)				■
Adjustable feet (adjustable 857 mm minimum to 908 mm maximum)	■	■	■	
Cable and Plug				
Voltage 220-240V - 50/60 Hz	■	■	■	■
Max electric input (W)	2350	2350	9370	3210

WHAT'S INCLUDED WITH EACH HOOD

MODELS	DCH 900 SS	DCH 900 BL	DCH 9006 FSS
TYPE			
Width (mm)	900	900	900
Finish	Stainless steel	Black	Stainless steel
Controls	Electronic	Electronic	Electronic
PERFORMANCE			
Number of speeds	3+1	3+1	3+1
SPECIAL FEATURES			
Timer			
Booster	■	■	■
Saturation			
Clean Air			
Lamp	2x1W Led	2x1W Led	2x1W Led
Mc/h (**)	740	740	608
Pressure (Pa)	500	500	347
Noise (dbA) (***)	68	68	66
Aluminium grease filters	■	■	■
Charcoal filter	optional extra	optional extra	optional extra
Air diverter	■	■	■
INSTALLATION			
Fitting Kit (screws)	■	■	■
Cold air valve	■	■	■
Outlet (mm)	150	150	150
Electrical supply	220-240V 50-60Hz	220-240V 50-60Hz	220-240V 50-60Hz
Supply Cord	■	■	■
Plug	■	■	■
CE MARK	■	■	■

(**) IEC61591

(***) IEC60704-3



Showroom address:

1 The Chestnuts
Mill Farm Courtyard
Beachampton
Milton Keynes
MK19 6DS



For UK service: 0843 3622013

For sales advice 01908 067550



cookersupport@delonghi-cookers.co.uk



www.delonghi-cookers.co.uk

Thanks to Gemma G Photography

DēLonghi